

MakersLED™ Hanging Kit

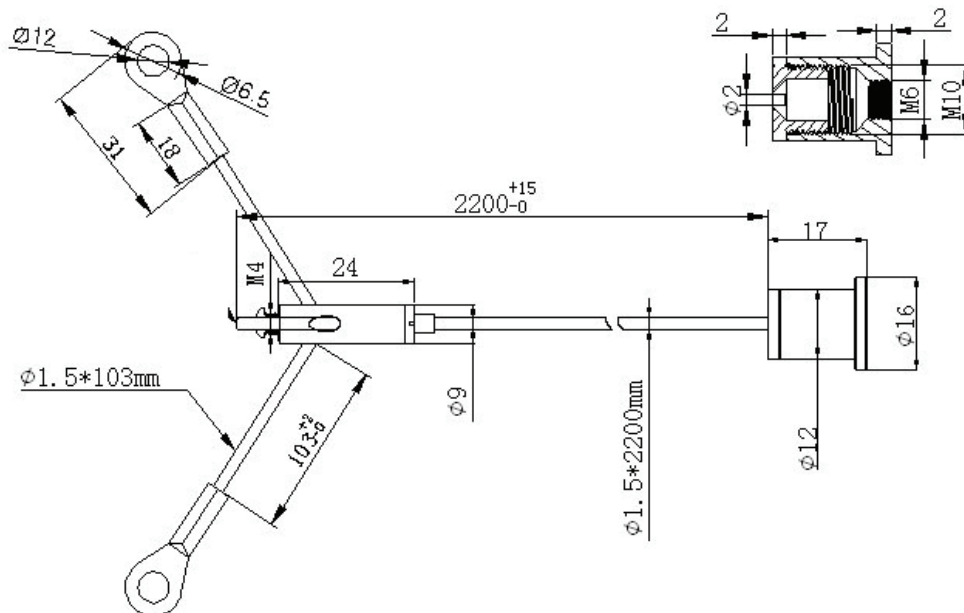
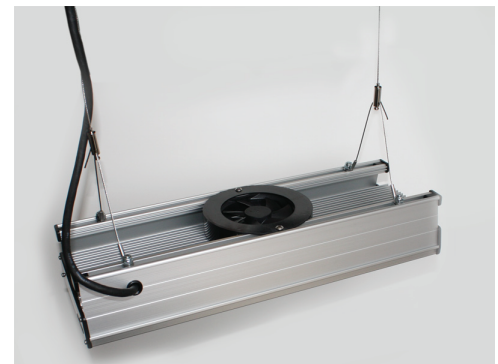


Compatible with both MakersHEAVY and MakersSLIM Heatsink kits

Included:

- 2 Y-Hanger Cables
- Adjustable Cable Length, up to 7 ft (allows easy raising and lowering)
- Stainless steel hex cap screw and hex lock nut to mount to MakersLED fixture
- Ceiling mounting screws

Installation Instructions can be found at:
<http://www.makersled.com/new-hanging-kit-available/>



Available at: www.digikey.com

